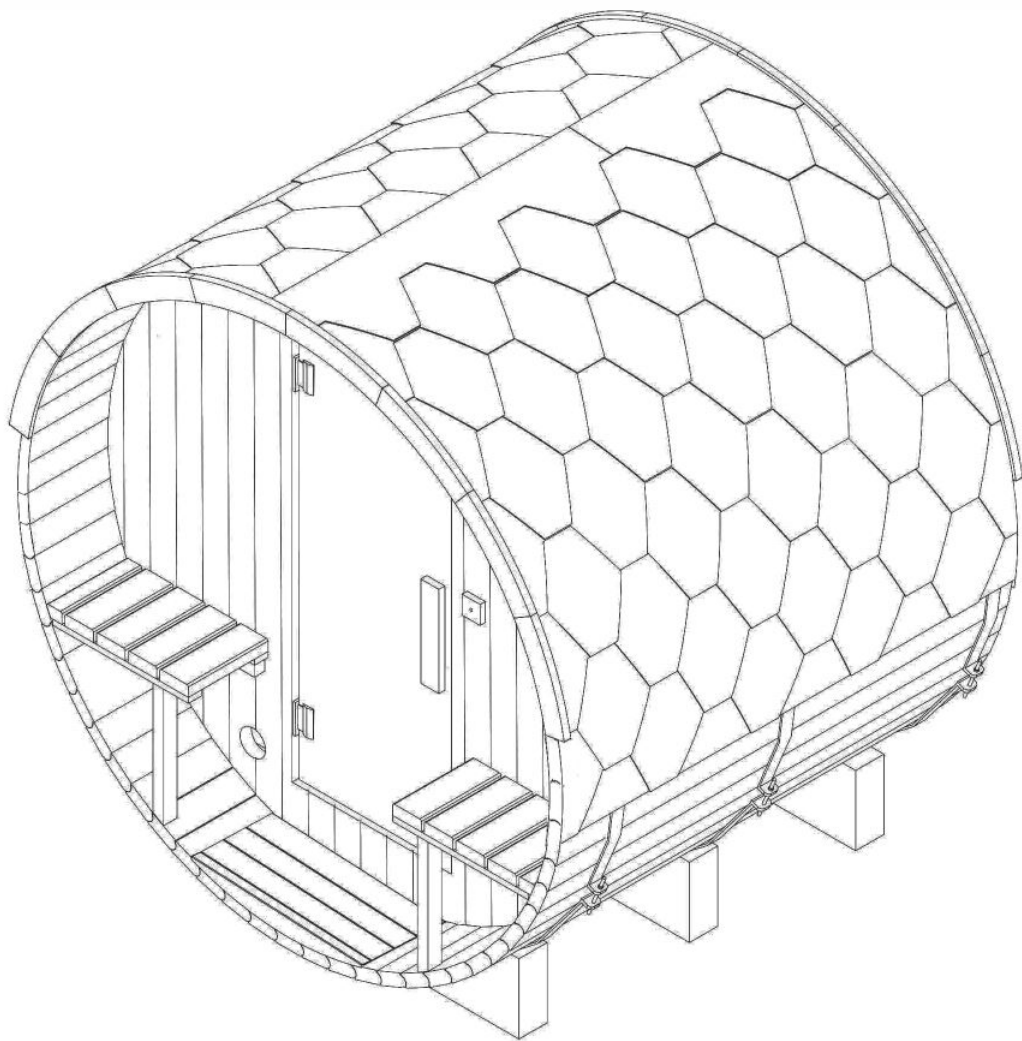






Instructions for assembly roof canopy on sauna



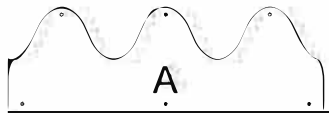
1 • Tools for assembly bitumen roof

Customer need to purchase screws ST4x20mm in local market.

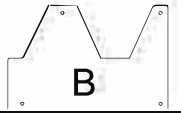
1. Tools you need to prepare before assembly

Power Drill × 1	Pencil × 1	Tape × 1	Glass Silicone Sealant Gun × 1
			

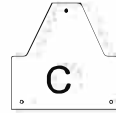
Bitumen roof canopy instructions accessories:



Standard component A
6 screws required



Standard component B
4 screws required



Standard component C
3 screws required



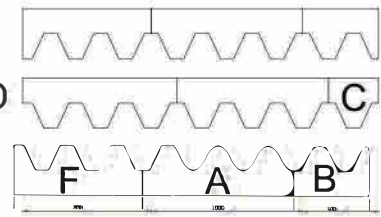
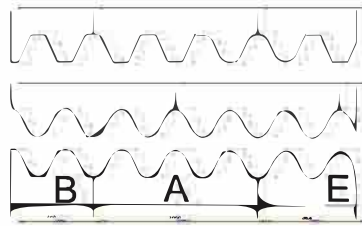
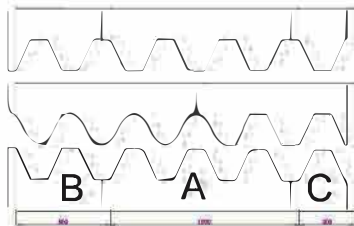
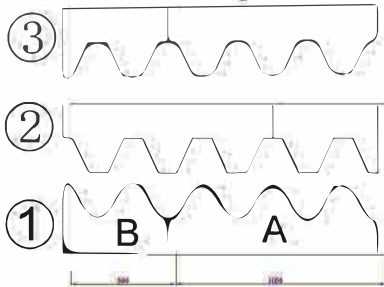
Standard component D
3 screws required



Standard component E
5 screws required

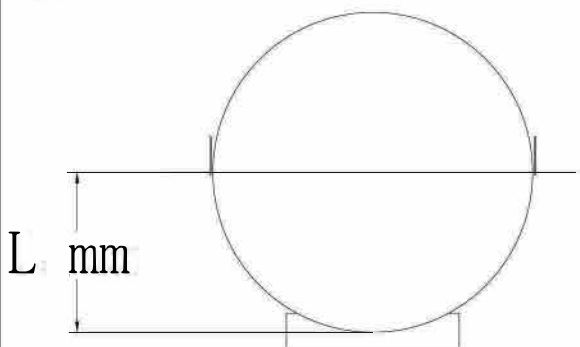


Standard component F
6 screws required



2. Instructions for assembly bitumen roof

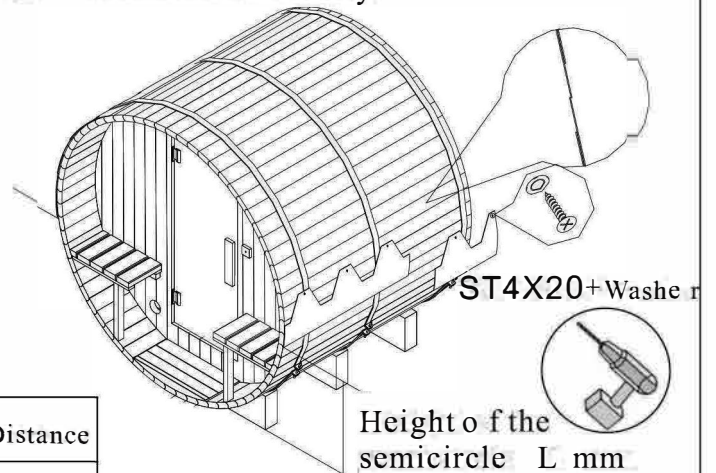
① Installed position size

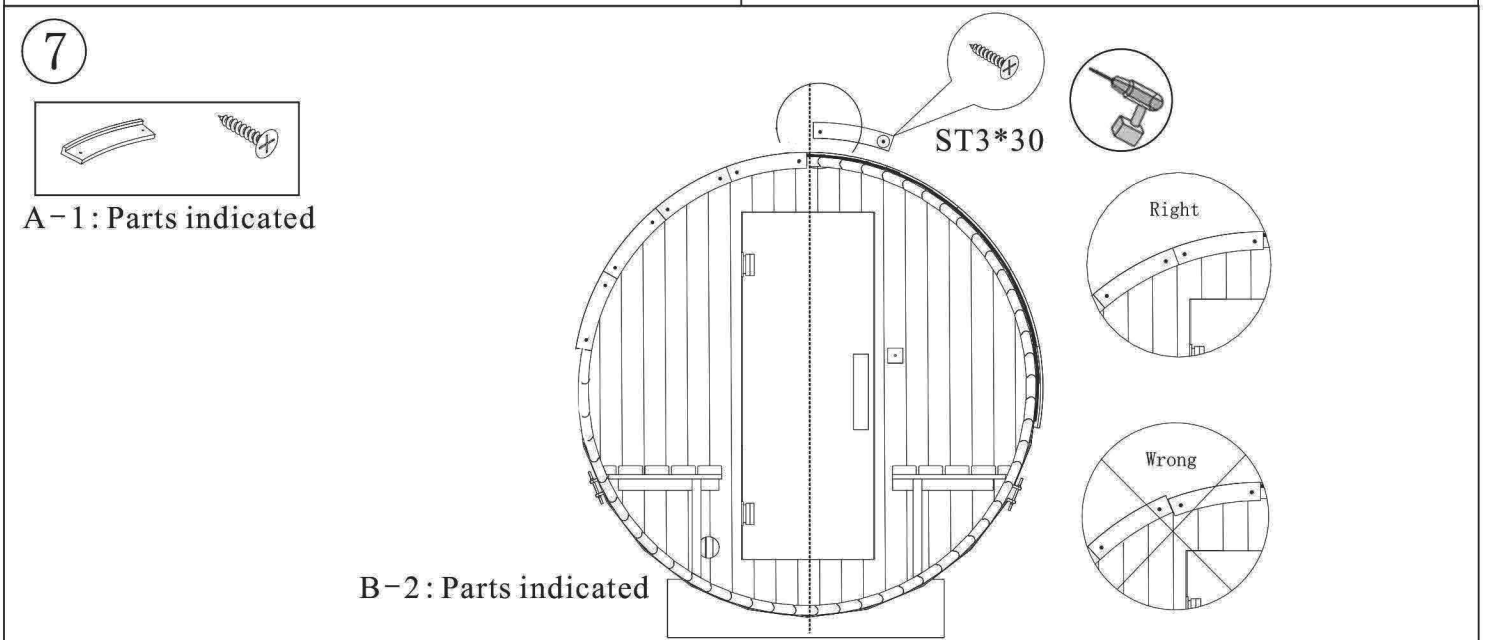
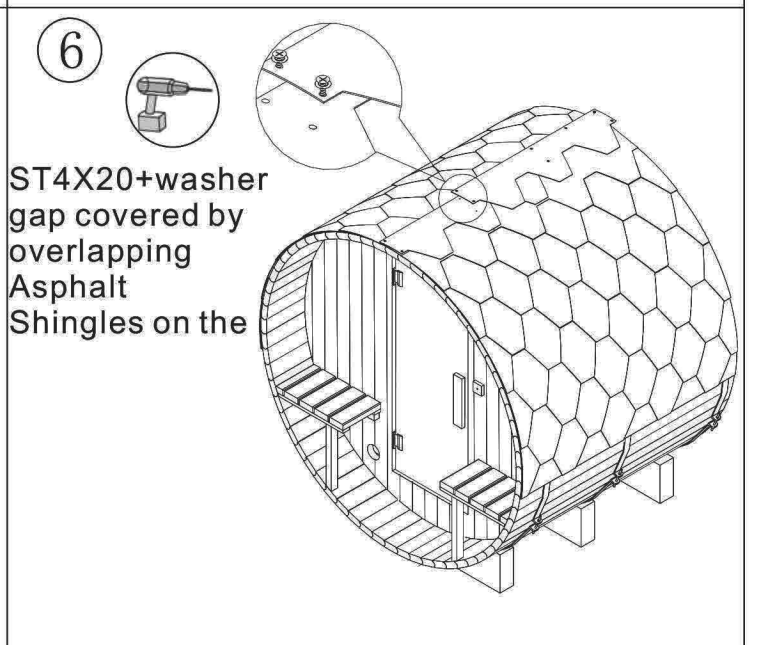
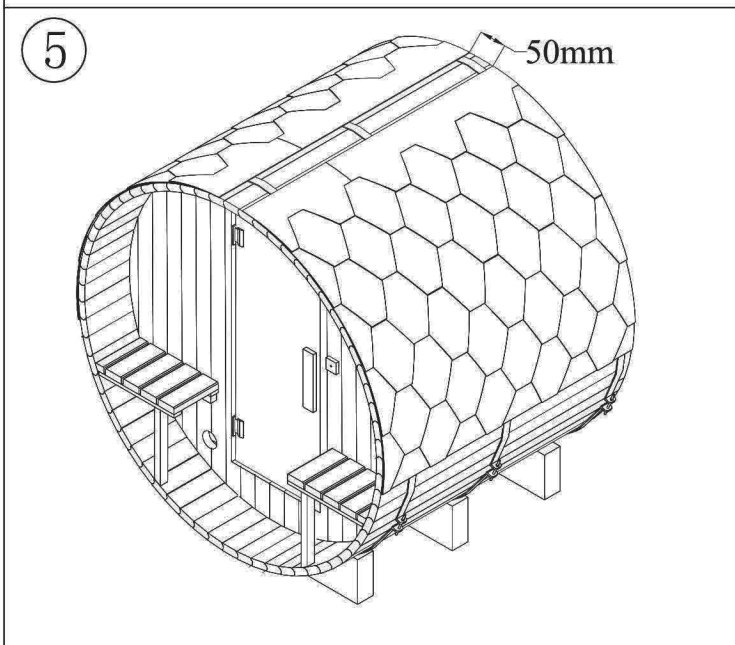
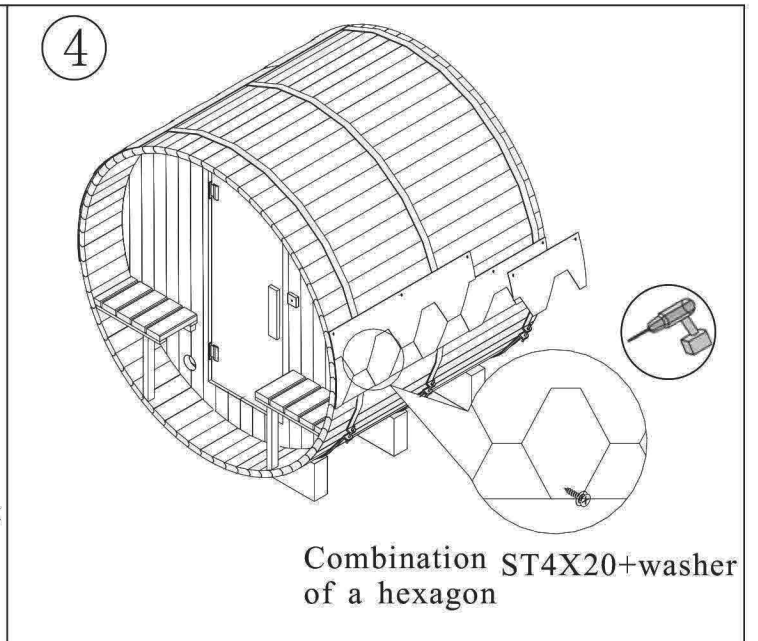
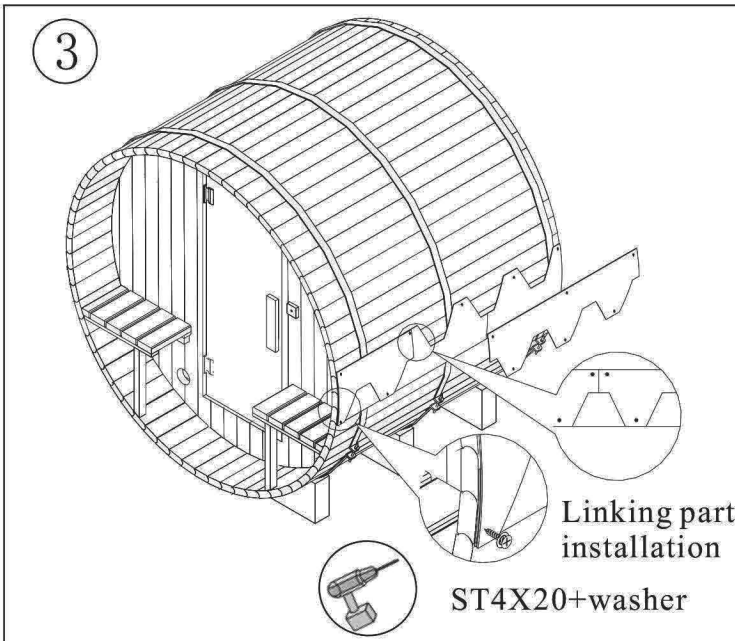


Assembly bitumen roof in both sides based on the center line

Specifications	Distance
6 feet	870mm
7 feet	1070mm

② NOTE: Take off the rear thin film of bitumen roof before Assembly.





10. Recommendations and suggestions for sauna

- (1) It is recommended to paint (wood wax, tung oil) on external wooden parts of sauna to prevent corrosion, crack and tarnish.
- (2) Suggestions: after assembling sauna, wash interior twice a day for 2-3 days.
- (3) It is suggested to lay a carpet before the door to prevent abrasion and dirt.
- (4) Pay attention to maintenance, electricity and fire of sauna.

